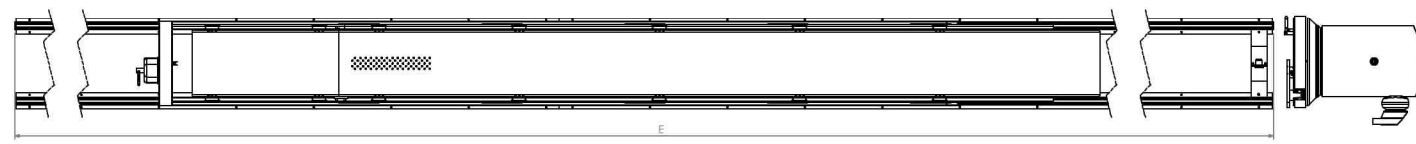
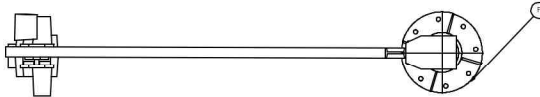
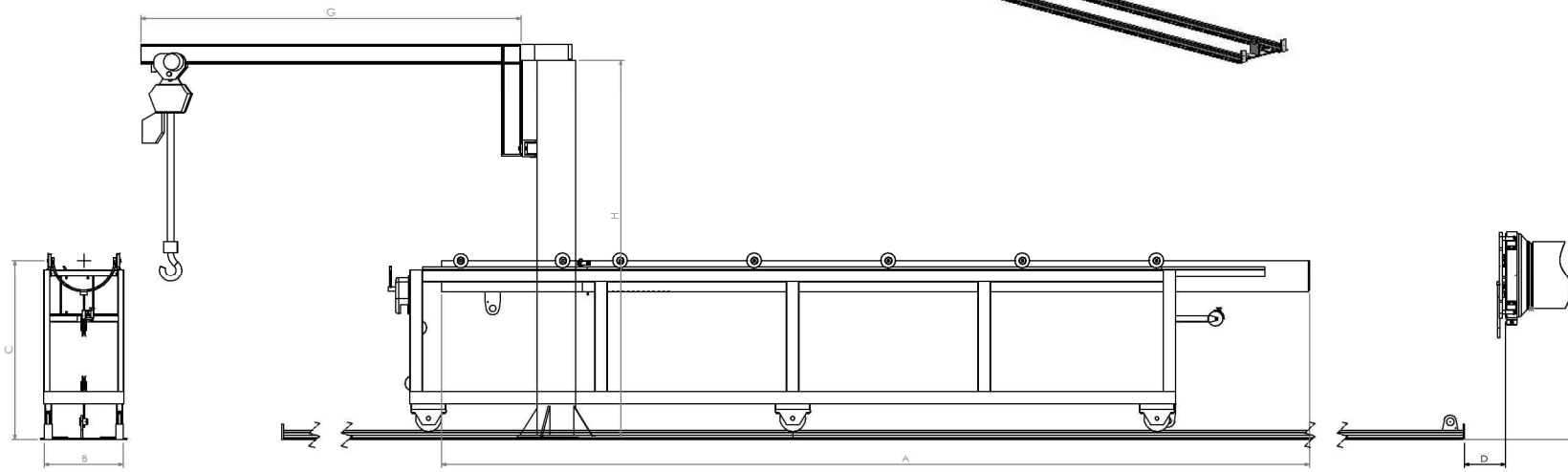
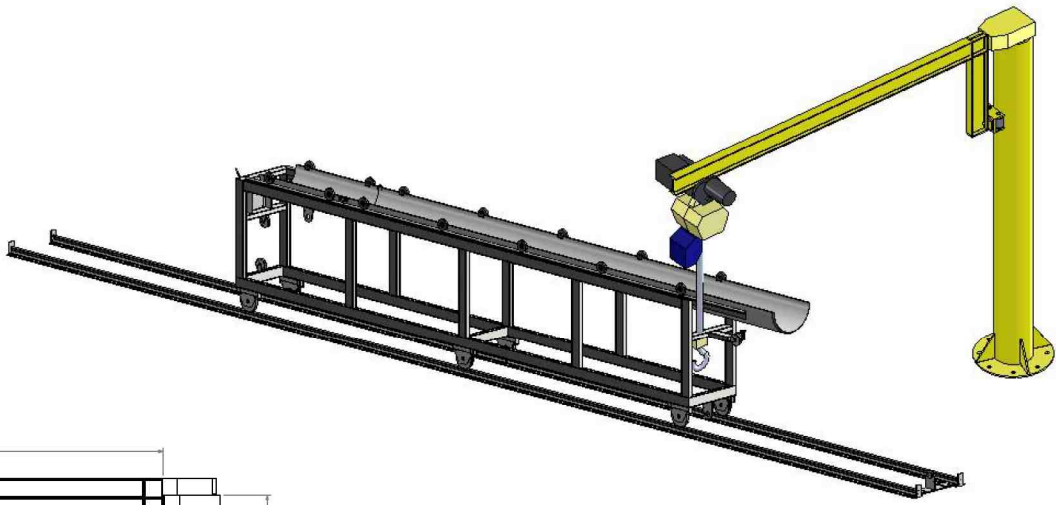


THIS DRAWING IS SOLE PROPERTY OF FULGOSI S.p.A. THE INFORMATION IS NOT TO BE USED OR REPRODUCED WITHOUT THE COMPANY'S CONSENT. THESE ARE NOT TO BE MADE WITHOUT PERMISSION.
 QUESTO DISEGNO È DI ESCLUSIVA PROPRIETÀ DELLA DITTA FULGOSI S.p.A. INFORMAZIONI IN ESSO CONTENUTE E CORPO NON POSSONO ESSERE USATE O RIPRODURRE SENZA L'ESPLICITA AUTORIZZAZIONE DA PARTE DELLA SOCIETÀ.



PIG HANDLING SYSTEM WHEEL

PUSHING BASKET

PUSHING / PULLING SYSTEM

PIG HANDLING RAIL

CHARACTERISTICS
 (General Arrangement Drawing, Dimensions are approximate)

C	Material tested by official authority	ANNEXED DOCUMENTS - Operational instruction: PIGHandling_MUR_0.00
B	Material with manufacturer's certificate	
-	Material without certificate	
MATERIALS TEST SYMBOL		
WELDING BOOK	MANUFAC. & Q.C. PLAN	
Customer	--	PURCHASE REQUISITION -- SERVICE -- JOB ORDER --
Title	PIG HANDLING SYSTEM FOR PIG LAUNCHER / RECEIVER	UNIT Millester FORMAT A1
		FULGOSI S.p.A. Via Emilio Grillo, 2 29010 - San Nicola (PC) Italy UNI EN ISO 9001 / 14001 - LRQ n. 100844 www.fulgosi.com
Item G.ly Title/Name Drawing No.		Drawing No.
Designed by Ing. G. Sporchetti	Checked by Davide Fulgosi	File name Handling_PigBasket_DWG_0.00
Weight -- kg	Weight full of water -- kg	Capacity -- m ³
Issued for approval		Edition Rev. 0 Sheet 1/1